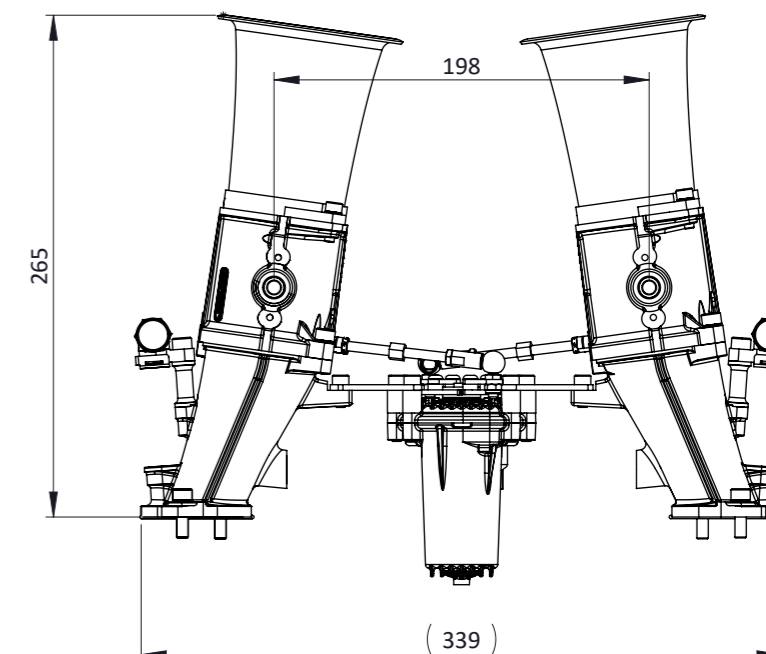
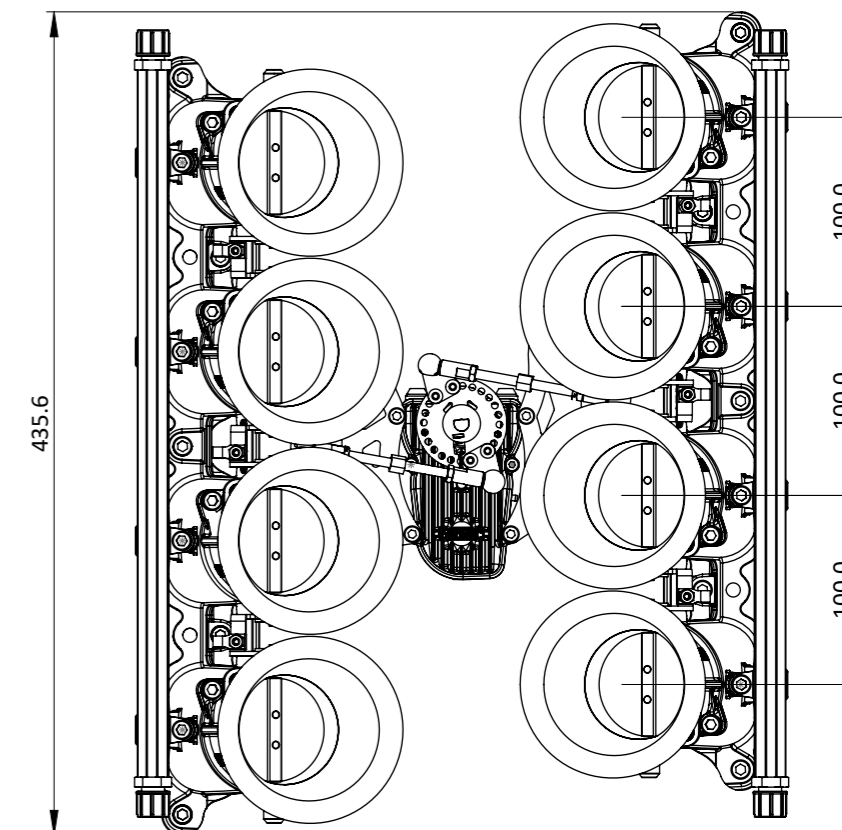
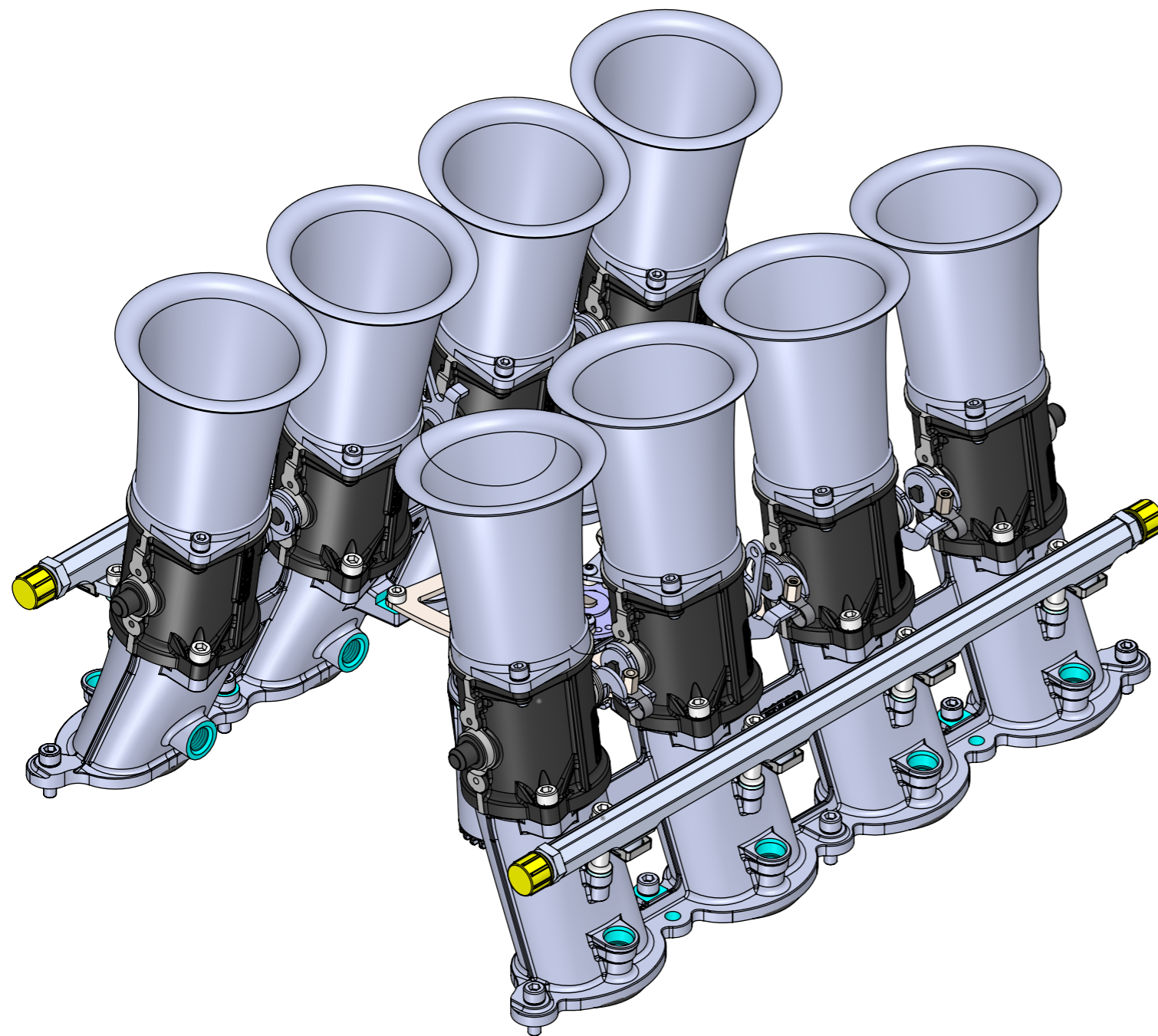


CKFD20T-ETA - FORD COYOTE 5.0L DOWNDRAFT KIT



Engineered to win



FITS GEN 3 (2018+ MUSTANG) & GEN 2 (2015- 2017 MUSTANG) COYOTE ENGINES

THE JENVEY FORD 5.0L COYOTE ITB DOWNDRAFT THROTTLE BODY KIT INCLUDES THE JENVEY SSD BODIES WITH EITHER FLY BY WIRE OR CABLE DOWNDRAFT LINKAGE KIT, CAST EFI INLET MANIFOLDS WITH UNDERSIDE BOSSES FOR AIR DISTRIBUTION SYSTEMS, ALUMINIUM BILLET FUEL RAILS AND 100MM SPUN ALUMINIUM AIR HORNS. DESIGNED SPECIFICALLY FOR MOTORSPORT APPLICATIONS. OFFERING EXCEPTIONAL PERFORMANCE LIGHTNESS RELIABILITY AND LOOKS. USING OUR MODULAR COMPONENTS OFFERS HUGE OPPORTUNITY FOR BESPOKING TO MATCH YOUR APPLICATION. DESIGNED TO WORK WITH STANDARD INJECTORS & INJECTOR LOOM.

ORDER CODES:

- CKFD20 - Ø52mm PARALLEL SSD BODIES, WITH CABLE LINKAGE AND 20MM HORNS.
- CKFD20T - 58/45/0 Ø58mm TAPERED SSD BODIES, WITH CABLE LINKAGE AND 100MM HORNS.
- CKFD20-ETA - Ø52mm PARALLEL SSD BODIES , WITH FLY-BY-WIRE LINKAGE AND 20MM HORNS.
- CKFD20T-ETA - 58/45/0 Ø58mm TAPERED SSD BODIES, WITH FLY-BY-WIRE LINKAGE AND 100MM HORNS - AS DRAWN

Frame: 1 of 1

Version: 2

Tel 01746 768810

© JENVEY DYNAMICS LTD. 2015

Web WWW.JENVEY.CO.UK

